

MBD Accelerator

Enabling MBD for the Enterprise

Overview

For nearly 10 years Design Rule has partnered with Inceptra who are the largest global Dassault Systemés Solutions Partner. MBD Accelerator has been developed by Inceptra to accelerate the process of Model Based Definition.

Model Based Definition (MBD) is quickly becoming a common way for companies in many industries to streamline their product development process. In the past, both a 3D model and a 2D drawing were defined for parts and assemblies. However neither the model or the drawing was a complete definition. This was confusing for downstream users of the information.

With MBD, all information to define, manufacture and inspect a part or assembly is contained in the 3D model. This saves time in design and eliminates additional documents to manage and revision.

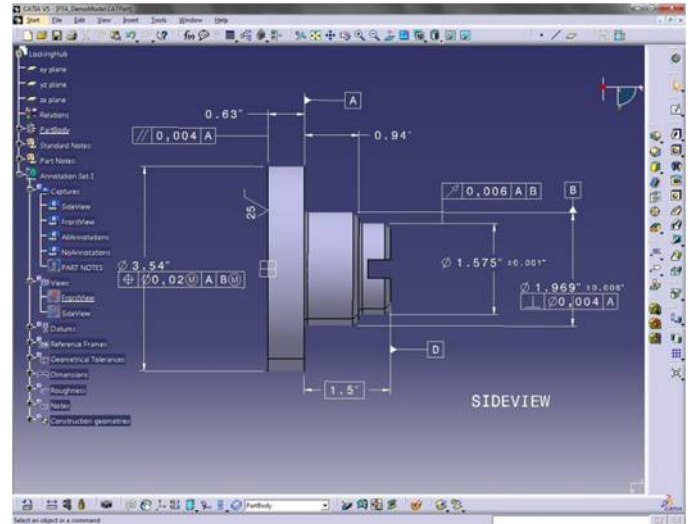
However, for many downstream users, it can be difficult to find the specific information they need and tedious to develop shop aids and inspection reports from 3D models.

Product Description

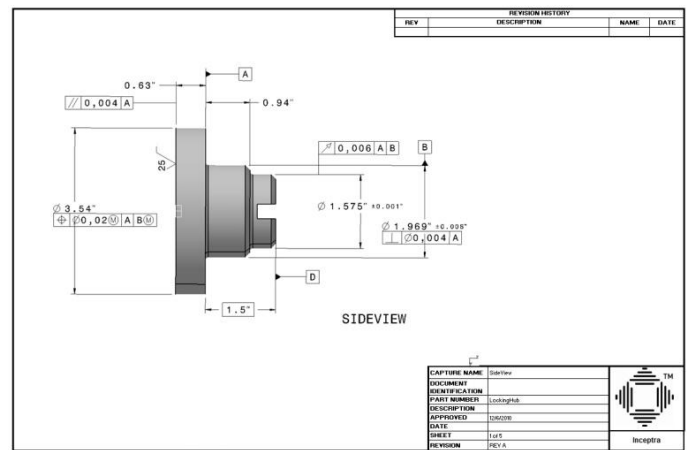
The Inceptra MBD Accelerator is used by organisations to streamline the use of MBD data throughout the enterprise. By extracting important product data and presenting it in simple, usable formats such as WORD or EXCEL, MBD Accelerator enhances the following processes:

- Model analysis for the Bidding Process
- Material Reports for Purchasing
- Shop Aides for Manufacturing
- First Article Inspection Reports for Quality

Inceptra MBD Accelerator is easy to configure to work with the many different ways that MBD can be defined and organised in a CATIA model according to different OEM standards. The contents and format of reports can also be customised. Configuration Profiles can be defined and distributed to suppliers to ensure consistent reporting throughout the supply chain.



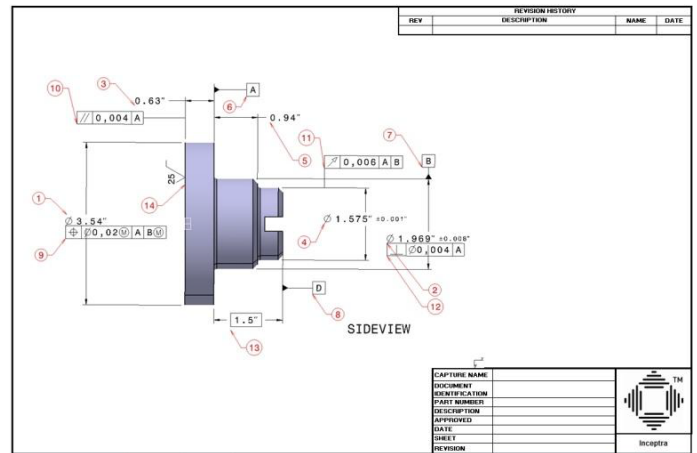
First Article Inspection Report													
Form 3: Characteristic Accountability, Verification and Compatibility Evaluation													
1. Part Number		2. Part Name						3. Serial Number		4. Report			
5. Char No.	6. Reference Location	7. Characteristic Designator	8. Requirement	9a. Test	9b. Tolerance	9. Results	10. Designer/Tooling	11. Item Confirmation Number	14. Notes				
1	Sideview												
2	Sideview												
3	Sideview												
4	Sideview												
5	Sideview	N/A	Deum: A										
6	Sideview	N/A	Deum: B										
7	Sideview	N/A	Deum: D										
8	Sideview												
9	Sideview												
10	Sideview												
11	Sideview												
12	Sideview												
13	Sideview	N/A											
14	Sideview	N/A											
15	Sideview												
16	Sideview												
17	Sideview												
18	Sideview												
19	Sideview												
20	Sideview												
21	Sideview												
22													
23													
24													
25													
26													
27													
28	The signature indicates that all characteristics are accounted for, meet drawing requirements or are properly documented for disposition.												
29	12. Prepared By												13. Date





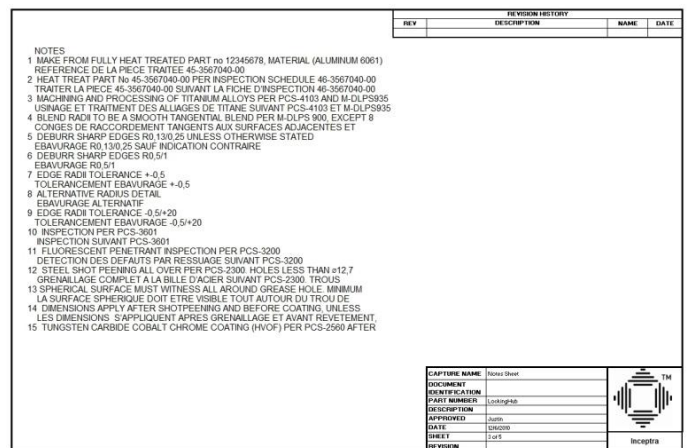
Key Features

- Supports CATIA V5 Parts and Assemblies
- Fully configurable to work with different methods of annotations that are created in models
- Configurable report formats
- Extraction of Captures and Notes
- Preview Captures before the extraction process
- Extraction of Notes stored in any location within the model
- Automatic First Article Inspection (FAI) Ballooning
- Creation of FAI Reports
- Language Support – English and French currently



Supports all MBD Data Types

- 3D Dimensions
- Parameters
- Annotation Sets
- Captures
- Views
- Geometric Dimension & Annotation
- Materials
- Title Block Information
- 3D Flag Notes
- Surface Finishes

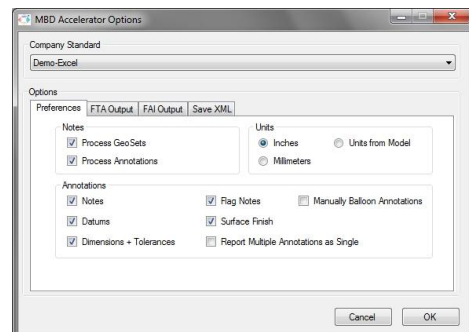


System Requirements

- CATIA V5 or ENOVIA DMU, R18 - V5-6R2015
- Windows XP, Windows 7 or Windows 8
- 32bit or 64bit
- Microsoft Office 2003, 2007 or 2010

Licensing

- Concurrent License



Design Rule has an experienced team who specialise in delivering out-of-the-box Product Lifecycle Management (PLM) solutions. Recognised globally for our technical competence and service quality, Design Rule has been implementing PLM solutions for over 15 years.